



Pall Corporation

UH319

UH319 Series Filters

ULTIPLEAT® SRT HIGH PRESSURE FILTERS

Side and Top Manifold Mounting

Port Size 1½"



Features

- Patented Ultipleat (laid-over pleat) filter medium pack
- Coreless, cageless element configuration
- Pall Stress-Resistant Technology (SRT) Media
- In-to-out filter element flow path
- Flows to 600 L/min (160 US gpm)
- Pressures to 420 bar (6100 psi)
- Ports, 1½" top and side manifold mount

Notes and Specifications

Filter Housing

- **Maximum Working Pressure:**
420 bar (6100 psi)
- **Rated Fatigue Pressure:**
0-240 bar (3500 psi) per NFPA T2.06.01R2-2001 CAT C/90 (1 million cycles), verified by testing at 0-280 bar (4050 psi) for 1 million cycles. Contact Pall for applications with higher pressures at lower cycles
- **Typical Burst Pressure:**
1500 bar (21,750 psi)
- **Fluid Compatibility:**
Compatible with all petroleum oils, water glycols, water-oil emulsions and most synthetic hydraulic and lubrication fluids
- **Temperature Range:**
Fluorocarbon Seals:
-29°C to 120°C (-20°F to 250°F)
60°C (140°F) maximum in HWCF or water glycol fluids
- **Bypass Valve Setting:**
4.5 bard (65 psid)
- **Indicator Pressure Setting:**
3.5 bard (50 psid)
- **Materials of Construction:**
Head: Ductile Cast Iron
Tube and Cover: Carbon steel

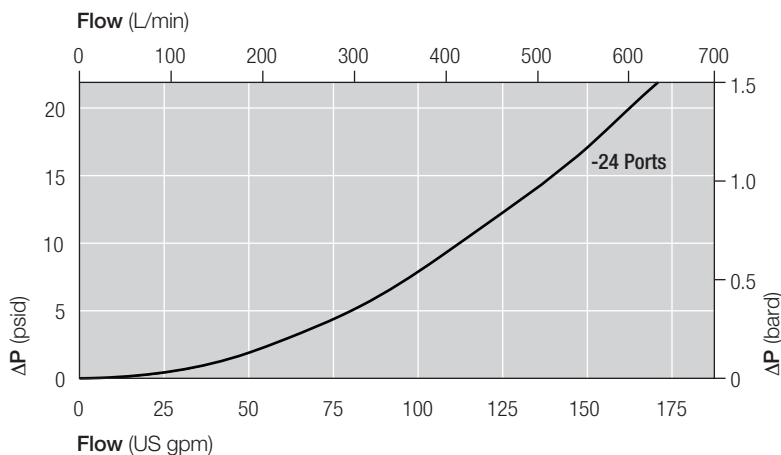
Filter Element

- **Filter Element Burst Pressure:**
10 bard (150 psid)
- **Ultipleat SRT Element Construction:**
Inorganic fibers impregnated and bonded with epoxy resins. Polymer endcaps. Anti-static media design

Pressure Drop Information

Housing pressure drop using fluid with 0.9 S.G.

Housing pressure drop is directly proportional to specific gravity.



Element Pressure Drop

Multiply actual flow rate times factor in table below to determine pressure drop with fluid at 32 cSt (150 SUS), 0.9 S.G. Correct for other fluids by multiplying new viscosity in cSt/32 (SUS/150) x new S.G./0.9. Note: factors are per 1000 L/min and per 1 US gpm.

319 Series Filter Elements — bard/1000 L/min (psid/US gpm)

Length Code	AZ	AP	AN	AS	AT
08	5.52 (0.302)	2.30 (0.126)	1.82 (0.100)	1.32 (0.072)	0.82 (0.045)
13	3.31 (0.182)	1.38 (0.076)	1.09 (0.060)	0.79 (0.043)	0.49 (0.027)
20	2.18 (0.120)	0.91 (0.050)	0.72 (0.040)	0.52 (0.029)	0.33 (0.018)
40	1.10 (0.060)	0.46 (0.025)	0.36 (0.020)	0.26 (0.014)	0.16 (0.009)

Sample ΔP calculation

UH319 Series 13" length housing with S24 (1½") side manifold mount ports using AN grade media. Operating conditions 300 L/min flow rate using a hydraulic fluid of 50 cSt and specific gravity (s.g.) 1.2.

Total Filter ΔP

$$\begin{aligned}
 &= \Delta P_{\text{housing}} + \Delta P_{\text{element}} \\
 &= (0.30 \times 1.2/0.9) \text{ bard (housing)} \\
 &+ ((300 \times 1.09/1000) \times 50/32 \times 1.2/0.9) \text{ bard (element)} \\
 &= 0.40 \text{ (housing)} + 0.68 \text{ bard (element)} \\
 &= \mathbf{1.08 \text{ bard (15.7 psid)}}
 \end{aligned}$$

UH319 Series Filters - Manifold Mount

Ordering Information

For new installations, select one complete part number from each section below

Section 1

Housing P/N:

Note: Pall Ultipleat SRT filter housings are supplied without filter elements or warning devices fitted. Never operate the filter unless a filter element is fitted and all warning device ports are sealed.

UH 319 ++ Z G 9 X106
Table 1 Table 2 Table 3

Note: Z indicates fluorocarbon seals are standard. Other options are available; contact Pall. The number '9' at the end of the Housing P/N designates 2 indicator ports, one fitted with a plastic shipping plug and the other with a bleed plug.

Seal Kit P/N:

UH 319 SKZ

*Other seal material options are available; Contact Pall.

Table 1: Housing Orientation Options

Code	Port
C	Cap service (tube up) -standard
H	Head service (tube down)

Table 2: Housing Port Options

Code	Port
K24	1½" top mount manifold
S24	1½" side mount manifold

Table 3: Housing Length Options

Code	Length (in)*
08	8
13	13
20	20
40	40

* Nominal length

Section 2

Element P/N:

UE 319 Z
Table 1 Table 2

Note: Z indicates fluorocarbon seals are standard. Other options are available; contact Pall.

Table 1: Filter Element Options

Code	$\beta_{x(c)} \geq 1000$ based on ISO 16889	CST Rating*
AZ	3	08/04/01
AP	5	12/07/02
AN	7	15/11/04
AS	12	16/13/04
AT	22	17/15/08

* CST: Cyclic Stabilization Test to determine filter rating under stress conditions, based on SAE ARP4205

Table 2: Filter Element Length Options

Code	Length (in)*
08	8
13	13
20	20
40	40

* Nominal length

Section 3 (At least one Differential Pressure Indicator or 'B' type blanking plug must be ordered)

Differential Pressure Indicator P/N:

Note: Two Differential Pressure Indicators can be fitted on this housing

RC 091 Z
Table 1 Table 2 Table 3 Table 4

Note: If no differential pressure indicator is selected, 'B' type blanking plug (P/N HC9000A104Z) must be ordered separately and fitted to replace the plastic shipping plug.

Note: Z indicates fluorocarbon seals are standard. Other options are available; contact Pall.

Table 1: Differential Pressure Indicator Options*

Code	Indicator	'H' Dim.
778NZ	'P' type Visual indicator with thermal lockout	21mm (0.83in)
860MZ	'D' type Visual indicator with no thermal lockout	21mm (0.83in)
861CZ	'L' type Electrical switch (SPDT) with 6" leads	38mm (1.50in)
861CZ	'M' type Electrical switch (SPDT) with DIN43650 connector and matching cap	78mm (3.07in)
861CZ	'R' type Electrical switch (SPDT) and neon light indicator with DIN43650 connector and cap	89mm (3.50in)
771BZ	'S' type Electrical switch (SPDT) with 3-pin MS connector	57mm (2.24in)

* Other options available on application.

Table 2: Differential Pressure Indicator Material

Code	Pressure Setting
Omit	Aluminium Alloy Indicator: use at operating pressures < 200 bar (3000 psi)
SS	Stainless Steel Indicator: use at operating pressures > 200 bar (3000 psi)

* Other setting options are available; contact Pall.

Table 3: 'M' & 'R'-Type Indicator Codes*

Code	Option
YM	'M' option
YR	'R' option

* Use only if 'R' or 'M' Indicator is selected from Table 1

Table 4: 'R' Indicator Options

Code	Option
110AC	110V AC
220AC	220V AC
24DC	24V DC

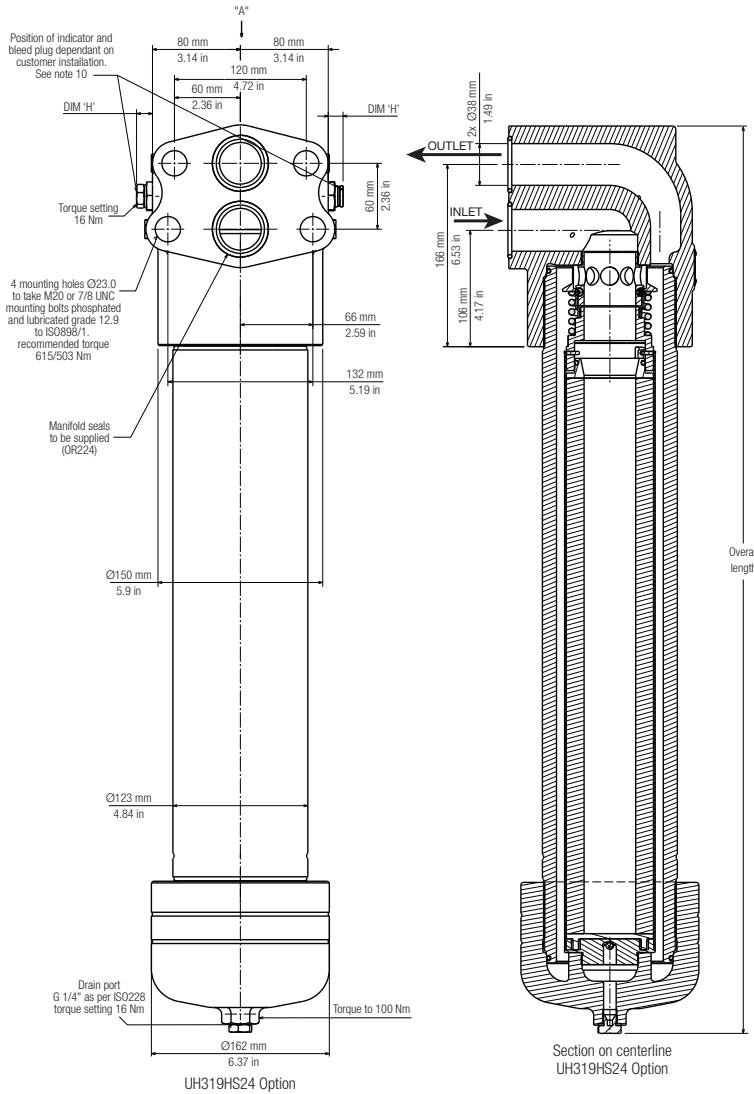
* Use only if 'R' Indicator is selected from Table 1

UH319

UH319 Series Filters - Manifold Mount

HIGH PRESSURE FILTERS Technical Information

('H' option housing shown)

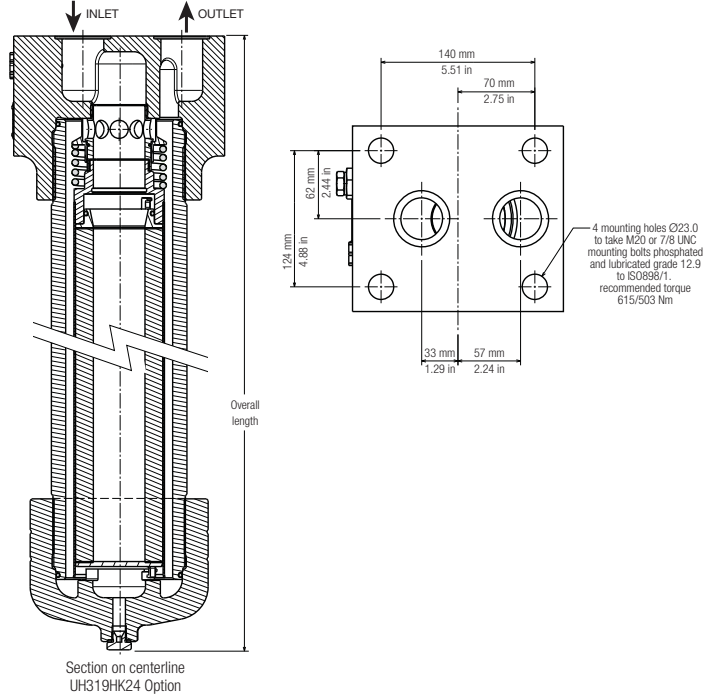


'C' & 'H' Housings - S24 Side manifold mounting

Length Code	'C' Option Overall Length mm (in)	'H' Option Overall Length mm (in)	'C' Option Element Removal Clearance mm (in)	'H' Option Element Removal Clearance mm (in)	Empty Weight kg (lb)
08	473 (18.62)	521 (20.51)	286 (11.26)	140 (5.51)	39.3 (86.7)
13	608 (23.94)	655 (25.79)	421 (16.58)	140 (5.51)	44.3 (97.7)
20	778 (30.63)	826 (32.52)	591 (23.27)	140 (5.51)	50.6 (111.6)
40	1287 (50.67)	1334 (52.52)	1099 (43.27)	140 (5.51)	69.4 (153)

'C' & 'H' Housings - K24 Top manifold mounting

Length Code	'C' Option Overall Length mm (in)	'H' Option Overall Length mm (in)	'C' Option Element Removal Clearance mm (in)	'H' Option Element Removal Clearance mm (in)	Empty Weight kg (lb)
08	456 (17.95)	470 (18.50)	286 (11.26)	140 (5.51)	46.9 (103.4)
13	591 (23.27)	604 (23.78)	421 (16.58)	140 (5.51)	51.9 (114.4)
20	761 (29.96)	775 (30.51)	591 (23.27)	140 (5.51)	58.2 (128.3)
40	1269 (49.96)	1283 (50.51)	1099 (43.27)	140 (5.51)	77 (169.8)



Pall Industrial Manufacturing

New York-USA
 +1 516 484 3600 telephone
 +1 888 333 7255 toll free
 +1 516 484 6247 fax

Portsmouth-UK
 +44 (0)23 9230 3303 telephone
 +44 (0)23 9230 2507 fax

Visit us on the Web at www.pall.com

Pall Corporation has offices and plants throughout the world. For Pall representatives in your area, please go to www.pall.com/contact

Because of technological developments related to the products, systems, and/or services described herein, the data and procedures are subject to change without notice. Please consult your Pall representative or visit www.pall.com to verify that this information remains valid. Products in this document may be covered by one or more of the following patent numbers: EP 667,800; EP 982,061; EP 1,380,331; EP 1 656 193; US 5,543,047; US 5,690,765; US 5,725,784; US 6,113,784; US 7,083,564; US 7,318,800.

© Copyright 2009, Pall Corporation. Pall, (PALL), and Upleteat are trademarks of Pall Corporation. ® Indicates a trademark registered in the USA. Filtration. Separation. Solution.sm is a service mark of Pall Corporation.